

canair

SUBJECT.

EQUIPMENT CHECK LIST

---EQUIPMENT INSTALLED BY K-C AVIATION
DALLAS, TEXAS FMA REPAIR STATION NO.
202-91 ---

AIRPLANE MODEL CI-600-2A12

SERIAL NO. 3016

ACTUAL WEIGHT AND BALANCE

COMPARTMENT ITEM NUMBER	ITEMS AND LOCATION GROUPED BY COMPARTMENT	WEIGHT	ARM
G-1	RECEIVER/TRANSMITTER R.T. 18B WULFSBERG P/N 400-0015-000	7.3	287
-2	SELCAL DECODER, FREDRICKSON P/N 800-0012-005	3.2	290
-3	CABIN CONTROL WH-5-114, WULFSBERT P/N 400-0116-1114	1.5	386
-4	RAZOR INVERTER TRAM P/N I6060	1.6	547
-5	CHIME AMPLIFIER, BAKER P/N M7850B	0.8	544
-6	SMOKE DETECTOR, PYROTECTOR P/N 30-23-17	1.9	606
-7	EMERGENCY LIGHT POWER SUPPLY, K-C AVIATION P/N 310-0069	11.8	280
-8	EMERGENCY LIGHT POWER SUPPLY, K-C AVIATION P/N 310-0069	11.8	612
-9	GALLEY POWER SUPPLIES P/N 18-994 (2 EACH)	0.6	290
-10	GALLEY POWER SUPPLIES P/N 18-996 (4 EACH)	0.6	290
-11	AIR DUCT POWER SUPPLIES P/N 992 - (16 EACH IN AIR DUCTS)	0.6	382
-12	NAVIGATION COMPUTER, UNIVERSAL P/N 1161	11.7	284
-13	NAVIGATION COMPUTER, UNIVERSAL P/N 1121	10.7	290
-14	INERTIAL REFERENCE UNIT, HONEYWELL P/N H.G. 1075AB01	44.3	555
-15	INERTIAL REFERENCE UNIT, HONEYWELL P/N H.G. 1075AB01	44.3	568
-16	BLOWER MOTOR, HONEYWELL P/N 021392	1.0	558
-17	BLOWER MOTOR, HONEYWELL P/N 021392	1.0	568
-18	INERTIAL BATTERY, MARATHON P/N 27518-2	11.0	579
-19	INERTIAL BATTERY, MARATHON P/N 27518-2	11.0	582
-20	VIDEO MONITOR, G.E. P/N GE73E261467	17.0	544
-21	VIDEO RECORDER P/N HR2650U	4.	544
-22	TUNER AMPLIFIER P/N KPA600	4.2	544
-23	STEREO TUNER, BLAUPAUNT KDX1202	2.7	544
-24	AMPLIFIER, PIONEER P/N GM2 (2 EACH)	1.8	544
-25	AMPLIFIER, PIONEER P/N GM2 (2 EACH)	1.8	544
-26	VIDEO SWITCH, AIR SHOW P/N 912000	0.5	544
-27	SPEAKER, PIONEER TS4102 (2 EACH)	2.4	379

DATE _____

<u>ITEM</u>	<u>MANUFACTURER</u>	<u>MODEL</u>	<u>P/N</u>	<u>S/N</u>	<u>WT.</u>	<u>F.S.</u>
<u>DUAL UNIVERSAL NAVIGATION MANAGEMENT SYSTEM</u>						
#1 NAVIGATION COMPUTER	UNIVERSAL		1161	152	11.7	284
#2 NAVIGATION COMPUTER	UNIVERSAL		1121	146	10.7	290
#1 CONTROL DISPLAY	UNIVERSAL		1010	239	4.5	245.5
#2 CONTROL DISPLAY	UNIVERSAL		1010	240	4.5	245.5
#1 INERTIAL REFERENCE UNIT	HONEYWELL		HG1075AB01	032	44.3	555
#2 INERTIAL REFERENCE UNIT	HONEYWELL		HG1075AB01	057	44.3	568
#1 MODE SELECT UNIT	HONEYWELL		CG1042AB01	KK1968	1.0	222
#2 MODE SELECT UNIT	HONEYWELL		CG1042AB01	KK1975	1.0	222
#1 BATTERY	MARATHON		27518-2	8404918	11.0	579
#2 BATTERY	MARATHON		27518-2	8406072	11.0	582
#1 BLOWER MOTOR	HONEYWELL		021392	KK1968	1.0	555
#2 BLOWER MOTOR	HONEYWELL		021392	KK1975	1.0	568
RECEIVER/PROCESSOR	CANADIAN MARCONI	CMA734	412-450-005	579	15.5	196
VLF RECEIVER	CANADIAN MARCONI	CMA734	473-333-001	574	3.5	196
ANTENNA	CANADIAN MARCONI	CMA734	418-312-001	431	3.4	934
<u>SPERRY PRIMUS 800 WEATHER RADAR SYSTEM</u>						
TRANSCEIVER	SPERRY	P-800	MI585550	1157	21.0	177
INDICATOR	SPERRY	WI800	MI585351	1168	9.0	220
ANTENNA	SPERRY	WA800	MI585353	1151	7.1	169
DATA NAV COMPUTER	SPERRY		MI585397-5	1289	8.1	193
DATA NAV CONTROL	SPERRY		MI585399-2	1357	1.7	220
DATA NAV KEYBOARD	SPERRY		MI585245	1827	0.7	232
<u>DUAL COLLINS DME SYSTEMS</u>						
#1 DME TRANSCEIVER	COLLINS	DME42	622-6263-001	922	5.1	326
#2 DME TRANSCEIVER	COLLINS	DME42	622-6263-001	932	5.1	326
<u>COMM/NAV CONTROLS</u>						
5-IN-1	GABLES		G5922-12	21	7.9	234
<u>DUAL BAKER AUDIO SYSTEM</u>						
#1 AUDIO CONTROL	BAKER		MI035-BBAA-DBAT	821283	2.2	225
#2 AUDIO CONTROL	BAKER		MI035-BBAA-DBAT	830116	2.2	225

<u>ITEM</u>	<u>MANUFACTURER</u>	<u>MODEL</u>	<u>P/N</u>	<u>S/N</u>	<u>WT.</u>	<u>F.S.</u>
<u>DUAL SPERRY AZ800 AIR DATA COMPUTER SYSTEMS</u>						
#1 AIR DATA COMPUTER	SPERRY	AZ800	7000700-920	84030533	9.7	341
#2 AIR DATA COMPUTER	SPERRY	AZ800	7000700-920	84030570	9.7	268
#1 MACH/AIRSPEED	SPERRY	S1225A	7002860-904	84030260	2.7	220
#2 MACH/AIRSPEED	SPERRY	S1225A	7002860-904	84040274	2.7	220
#2 IVSI	SPERRY		4013013-907	84023075	2.0	220
#2 ALTIMETER	SPERRY		4016341-904	83103126	2.5	220
STANDBY AIRSPEED	IDC		530-36950-301	151	0.6	220
STANDBY ALTIMETER	IDC		570-31400-003	306	0.9	220
VNAV CONTROL/DISPLAY	SPERRY	VN800	7000472-901	83100298	1.1	232
TAS PROBE	ROSEMOUNT		102CP2AG	59490	0.4	260
<u>CABIN ENTERTAINMENT AND PAGING SYSTEM</u>						
VIDEO MONITOR	G.E.		52LL03154	5N2N03058	17.0	544
RECORDER	G.E.		HR2650U	118M2379	4.7	544
TUNER ADAPTER	G.E.		KPA-600	D627286	4.2	544
STEREO TUNER	BLAUPUNT		KPA-1202	5252810512	2.7	544
AMPLIFIER	PIONEER		GM-2	B0-07372	1.8	544
AMPLIFIER	PIONEER		GM-2	BK-10137	1.8	544
AMPLIFIER	PIONEER		GM-2	BL-65353	1.2	544
COMPUTER	AIRSHOW		AS-100	226	8.0	214
DC TO DC CONVERTER	KGS		UC28-14	557	4.2	284
PRESELECT TTG	AIRSHOW		911000	213	.5	232
VIDEO SWITCH	AIRSHOW		912000	144	.5	544
VIDEO SWITCH	AIRSHOW		912000	147	.5	544
PAGING AMPLIFIER	BAKER		ML050-511	821234	3.3	190
SPEAKERS (2 EACH)	PIONEER		TS4102	NSN	2.4	379 R/L
SPEAKERS (2 EACH)	PIONEER		TS4102	NSN	2.4	424 R/L
SPEAKERS	PIONEER		TS4102	NSN	2.4	473 R/L
SPEAKERS	PIONEER		TS411	NSN	2.2	512
LAV SPEAKER	QUAM		4C5Z8	NSN	1.9	570

THE EQUIPMENT LISTED WAS INSTALLED BY K-C AVIATION, INC. DALLAS, TEXAS 75235, IN CANADAIR CHALLENGER CL60C
 S/N 6 ON K-C AVIATION, INC., W.O. #3133.

ITEM	MANUFACTURER	MODEL	P/N	S/N	WT.	F.S.
DUAL KING RADIO KHF 950 HIGH FREQUENCY COMMUNICATIONS SYSTEMS						
#1 CONTROL UNIT	KING RADIO	KCU951	064-1016-03	2661	1.1	232
#2 CONTROL UNIT	KING RADIO	KCU951	064-1016-03	2705	1.1	232
#1 RECEIVER/EXCITER	KING RADIO	KTR953	064-1015-01	25130	7.0	755
#2 RECEIVER/EXCITER	KING RADIO	KTR953	064-1015-01	25324	7.0	755
#1 PA/COUPLER	KING RADIO	KAC952	064-1017-02	10202	12.5	755
#2 PA/COUPLER	KING RADIO	KAC952	064-1017-02	10265	12.5	755
BRIDGING AMP	KING RADIO		071-0019-00	1143	0.5	755
BRIDGING AMP	KING RADIO		071-0019-02	1146	0.5	755
H.F. CAPACITOR	KING RADIO	KA-162	071-1270-01	1068	1.8	755
DUAL SPERRY EDZ/ASZ-800 EFIS SYSTEMS						
#1 ADI	SPERRY	ED-800	7003110-901	83090242	10.2	220
#2 ADI	SPERRY	ED-800	7003110-901	83100253	10.2	220
#1 HSI	SPERRY	ED-800	7003110-901	83100248	10.2	220
#2 HSI	SPERRY	ED-800	7003110-901	83100255	10.2	220
#1 SYMBOL GENERATOR	SPERRY	SG-800	7003400-911	84040303	16.3	250
#2 SYMBOL GENERATOR	SPERRY	SG-800	7003400-911	84040307	16.3	276
#1 SOURCE CONTROLLER	SPERRY	SC-800	7004123-511	83110226	2.2	236
#2 SOURCE CONTROLLER	SPERRY	SC-800	7004123-511	83110030	2.2	236
#1 DISPLAY CONTROLLER	SPERRY	DC-800	7003420-905	83110235	2.0	238
#2 DISPLAY CONTROLLER	SPERRY	DC-800	7003420-905	83110237	2.0	238
CABIN COMPONENTS						
RAZOR INVERTER	TRAMM		I6060	1418	1.6	547
CHIME AMPLIFIER	BAKER		M7850B	840593	9.8	544
SMOKE DETECTOR	PYROTECTOR		30-231-17	27549	1.9	606
UPPER STROBE POWER SUPPLY	GRIMES		60-2667	NSN	2.7	621
UPPER STORBE BEACON	GRIMES		30-1136	NSN	3.2	824
LOWER STROBE POWER SUPPLY	GRIMES		60-2667	NSN	2.7	380
LOWER STROBE BEACON	GRIMES		30-1136	NSN	3.2	738
E LIGHT POWER SUPPLY	K-C AVIATION		310-0069	0031	11.8	280
E LIGHT POWER SUPPLY	K-C AVIATION		310-0069	0052	11.8	612

ITEM	MANUFACTURER	MODEL	P/N	S/N	WT.	F.S.
FREDRICKSON JETPHONE UHF RADIO TELEPHONE SYSTEM						
TRANSCEIVER	FREDRICKSON		800-0001-000	251	4.8	201
COCKPIT CONTROL	FREDRICKSON		800-0003-000	173	.8	106
COCKPIT HANDSET	FREDRICKSON		800-0004-000	158	1.5	121
CABIN CONTROL	FREDRICKSON		800-0005-010	170	2.9	272.5
ANTENNA	SENSOR SYSTEMS		S65-8280-19	125	2.8	287
MOTOROLA SELCAL SYSTEM						
DECODER	MOTOROLA		NA-135	255AHJ0011	9.6	159.5
BAKER COCKPIT AUDIO SYSTEM						
#1 AUDIO CONTROL	BAKER		M1045-BBAA-DEL7	830526	2.6	90
#2 AUDIO CONTROL	BAKER		M1045-BBAA-DEL7	830527	2.6	90
PILOT'S SPEAKER	ALTEC LANSING		405-8G	NSN	1.8	117
CO-PILOT'S SPEAKER	ALTEC LANSING		405-8G	NSN	1.8	117
GALLEY HANDSET	WULFSBERG		400-0101-004	1314	.7	490
CABIN PAGING SYSTEM						
PA AMPLIFIER	BAKER		M1050S	830570	4.5	175
SPEAKER #1	PIONEER		TS-168	NSN	2.9	240L
SPEAKER #2	PIONEER		TS-168	NSN	2.9	240R
SPEAKER #3	PIONEER		TS-168	NSN	2.9	336L
SPEAKER #4	PIONEER		TS-168	NSN	2.9	336R
SPEAKER #5	PIONEER		TS-168	NSN	2.9	352L
SPEAKER #6	PIONEER		TS-168	NSN	2.9	352R
SPEAKER #7	PIONEER		TS-168	NSN	2.9	434L
SPEAKER #8	PIONEER		TS-168	NSN	2.9	434R
LAV SPEAKER	QUAM		4C5Z-8	NSN	1.8	512
BAKER M-2000 PASSENGER BRIEFING SYSTEM						
PLAYBACK UNIT	BAKER		M2000	830568	7.72	182
CONTROL UNIT	BAKER		S2003B02	830568	.45	95

THE EQUIPMENT LISTED WAS INSTALLED BY K-C AVIATION, INC DALLAS, TEXAS 75235, IN CANADAIR CHALLENGER CL60
 S/N 6 ON K-C AVIATION, INC., W.O. #3133. A12

ITEM	MANUFACTURER	MODEL	P/N	S/N	WT.	F.S.
CABIN LIGHTING SYSTEMS						
GALLEY POWER SUPPLY	ALC		18-996	2341	0.6	290
L/H INDIRECT	ALC		18-994	1286	0.6	290
L/H ACCENT	ALC		18-994	1217	0.6	290
R/H INDIRECT	ALC		18-996	2413	0.6	290
R/H ACCENT	ALC		18-996	2343	0.6	290
POWER SUPPLIES MOUNTED IN R/H AIR DUCT FORWARD P/N 992, S/N's 14715, 14733, 14714, 14738						
POWER SUPPLIES MOUNTED IN L/H AIR DUCT FORWARD P/N 992, S/N's 14707, 14713, 14728, 14741						
POWER SUPPLIES MOUNTED IN R/H AIR DUCT AFT P/N 992, S/N's 14330, 14324, 14335, 14336						
POWER SUPPLIES MOUNTED IN L/H AIR DUCT AFT P/N 992, S/N's 14331, 14322, 14729, 14323						
WULFSBERG ULTRA HIGH FREQUENCY RADIO TELEPHONE SYSTEM						
RECEIVER/TRANSMITTER	WULFSBERG	RT18B	400-0115-000	0514	7.3	287
CABIN CONTROL	WULFSBERG	WA-5-114	400-0116-1114	0426	1.5	380
COCKPIT CONTROL	WULFSBERG	HA-4-103	400-0101-103	1704	1.0	280
ANTENNA	WULFSBERG	AT461A	121-0011-000	5191	2.7	348
ADF SYSTEM						
#2 ADV RECEIVER	COLLINS	ADF60A	622-2362-001	14825	4.2	323
ADF ANTENNA	COLLINS	ANT60B	622-3915-002	999	5.3	226
ADF CONTROL	GABLES		G-5492	36	1.8	224
VHF COMMUNICATIONS SYSTEMS						
#1 RECEIVER/TRANSMITTER	COLLINS	VHF20B	622-1334-001	6529	5.4	324
#2 RECEIVER/TRANSMITTER	COLLINS	VHF20B	622-1334-001	6670	5.4	324
#1 VHF ANTENNA	SENSOR SYSTEMS		S658280-10	174	2.8	363
#2 VHF ANTENNA	SENSOR SYSTEMS		S658280-10	175	2.8	363

MIDCOAST AVIATION, INC.
 # 8 ARCHVIEW DRIVE
 CAHOKIA, IL 62206
 CRS R03R822L

DATE: 03-31-95
 REG. NUMBER: N1107Z
 MAKE/MODEL: CL600-2A12
 SERIAL NO.: 3016

SUPPLEMENT EQUIPMENT LIST

ITEMS INSTALLED: GPWS

VENDOR	PART NUMBER	SERIAL NO.	WEIGHT	ARM	QTY.	NOMENCLATURE
ALLIED SIGNAL AVIONICS	TSO C92b 965-0686-001	1469	4.2	235	1	GROUND PROXIMITY WARNING COMPUTER MK VI
ALLIED SIGNAL AVIONICS	405-0383-001	N/A	0.3	235	1	MOUNT
WEST COAST SPECIALTIES	90-81401-006	766	0.1	220	1	SWITCH ASSEMBLY GPWS FLAP OVRD.
WEST COAST SPECIALTIES	90-81401-001	774	0.1	220	2	SWITCH ASSEMBLY GPWS/BELOW G/S
WEST COAST SPECIALTIES	90-81401-007	630	0.1	220	1	ANNUNCIATOR ASSEMBLY G/S CANCLD.
WEST COAST SPECIALTIES	90-81401-002	794	0.1	220	1	ANNUNCIATOR ASSEMBLY GPWS INOP
BAKER	9903362-001	9402171	.3	235	1	AS-100 VOICE SWITCH

DATE: 5-3-91
REG. NUMBER: N1107Z
MAKE/MODEL: CL600-2A12
SERIAL NO: 3016

MIDCOAST AVIATION, INC.
#8 ARCHVIEW DRIVE
CAHOKIA, IL 62206
CRS R03R822L

SUPPLEMENT EQUIPMENT LIST

<u>ITEM</u>	<u>WEIGHT</u>	<u>ARM</u>	<u>VENDOR</u>
<u>INSTALLED:</u>			
1. Cockpit Voice Recorder P/N GA100-0000 S/N 1133	+23.3	+629	Fairchild
2. CVR Control Unit Type: GA150-0000 S/N 1204	+1.3	+233.	Fairchild
3. Audio Adapter Type: M1090 S/N 9001008	+0.3	+242	Baker
4. Audio Adapter Type: M1090 S/N 9001014	+0.3	+256.0	Baker
5. CVR Microphone P/N 93-A055-95 S/N 1204	+0.2	+228.0	Fairchild
6. CVR Mount P/N 9300-343 S/N 05004	+1.6	+625	Fairchild
7. CVR Adapter P/N 00-344A001-11	+0.8	+627	Midcoast Aviation

K-C AVIATION INC.
 FAA CRS VJIR560K
 SUPPLEMENT EQUIPMENT LISTING

CUSTOMER: PENNZOIL AIRCRAFT MODEL: CL600-2A12 SERIAL NO.: 3016 REGISTRATION N1107Z DATE: 25 MARCH 1993
 MANUFACTURER MODEL NO. PART NO. SERIAL NO. WEIGHT F.S.

REMOVED THE FOLLOWING:
 #1 NAV COMPUTER
 #2 NAV COMPUTER
 #1 CONTROL DISPLAY UNIT
 #2 CONTROL DISPLAY UNIT

178 1161 178 300L
 227 1161 227 305L
 176 1010 176 240
 240 1010 240 240

REINSTALLED THE FOLLOWING NEW AND UPDATED UNITS:

#1 NAV COMPUTER
 #2 NAV COMPUTER
 #1 CONTROL DISPLAY UNIT
 #2 CONTROL DISPLAY UNIT
 SENSOR GPS
 ANTENNA GPS
 DISK DRIVE UNIT (DDU)

178 1161-1-11 178 300L
 227 1161-1-11 227 305L
 176 1010-1 176 240
 240 1010-1 240 240
 165 1070-01 165 297L
 418 100-602061-000 418 298
 217 1401 217 N/A

(CARRY ON)

(CARRY ON)

PREPARED

canadair

PAGE 8

CHECKED

REPORT RAN-601-111 C

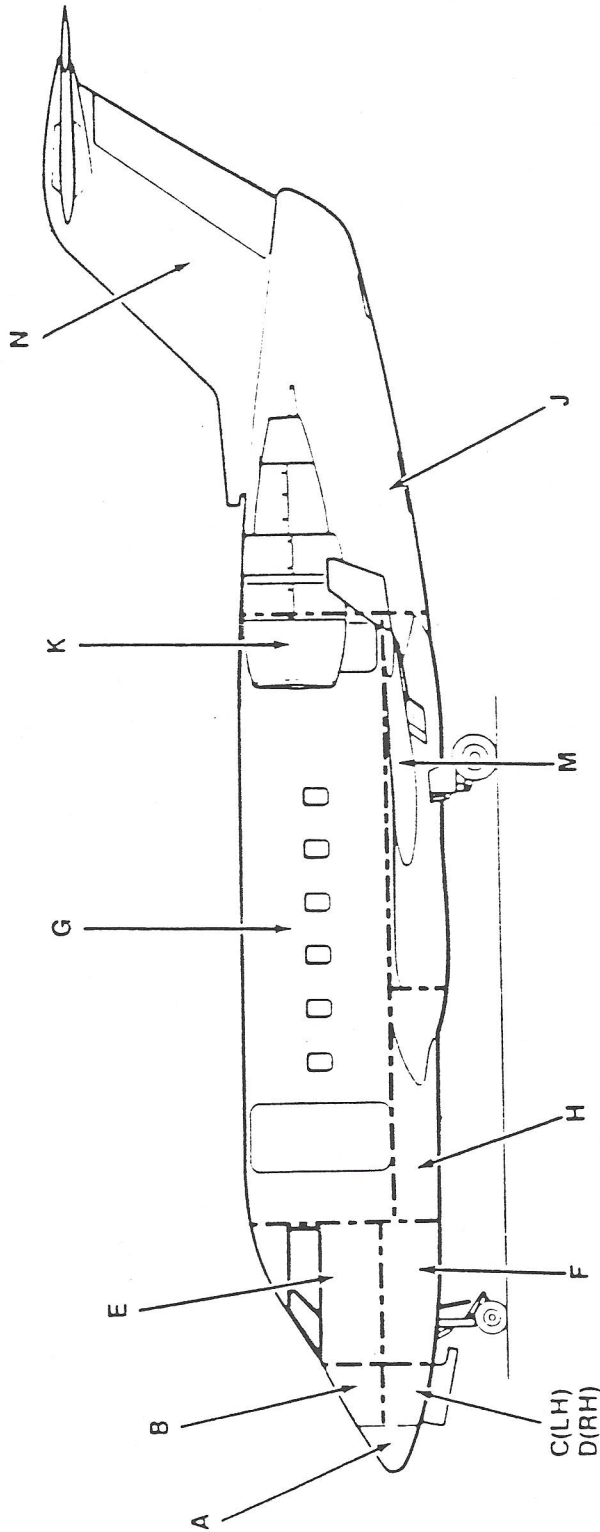
APPROVED

MODEL CL-600-2A12

DATE 12 May 1983

SUBJECT

ACTUAL WEIGHT & BALANCE



A/C CHECK LIST BAYS

SUBJECT

ACTUAL WEIGHT AND BALANCE

EQUIPMENT CHECK LIST

EQUIPMENT INSTALLED BY K-C AVIATION
DALLAS, TEXAS FAA REPAIR STATION NO.
202-91

AIRPLANE MODEL CL-600-2A12

SERIAL NO. 3016

COMPARTMENT & ITEM NUMBER	ITEMS AND LOCATION GROUPED BY COMPARTMENT	WEIGHT	ARM
G.	CABIN F.S. 280.00-621.00 (Continued)		
B.	GALLEY AREA		
1.	HIGH TEMP OVEN; TIA; P/N 1539A	22.0	310
2.	HOT LIQUID CONTAINER; PREPCO; P/N 80037-110; S/N 094	5.0	320
3.	HOT LIQUID CONTAINER; PREPCO; P/N 80037-110; S/N 097	5.0	330
4.	HOT CUP; HELMCO-LACY; P/N STDS-N-VT-110	2.5	330
5.	COFFEE MAKER; FABERWARE; P/N 142B; S/N 1494971	2.5	340
C.	CABIN AREA		
1.	SEAT #1 R.H.; ERDA INC; P/N 3000-3035-2; S/N 062	66.0	379
2.	SEAT #1 L.H.; ERDA INC; P/N 3000-3035-2; S/N 061	66.5	379
3.	OXYGEN DUAL MANIFOLD; O ₂ CORP; P/N 100-002-01 (L.H. AND R.H.)	ea .1	401
4.	PASSENGER OXYGEN MASKS; O CORP; P/N 289-601-18 (2 EACH L.H. AND R.H.)	ea .3	401
5.	SEAT #2 R.H.; ERDA INC; P/N 3000-3035-1; S/N 060	66.0	425
6.	SEAT #2 L.H.; ERDA INC; P/N 3000-3035-1; S/N 059	64.5	425
7.	THERAPEUTIC O ₂ NEBULIZER; NAGELDINGER; P/N 555 (L.H. AND R.H.)	ea 1.5	450
8.	OXYGEN DUAL MANIFOLD; O CORP; P/N 100-002-01 (L.H. AND R.H.)	ea .1	480
9.	PASSENGER OXYGEN MASKS; O CORP; P/N 289-601-18 (2 EACH, L.H. AND R.H.)	ea .3	480
10.	3 PLACE DIVAN; K-C AVIATION; P/N 444-0346 (REV "A") (L.H. AND R.H.)	ea 36.0	500
11.	OXYGEN DUAL MANIFOLD; O CORP; P/N 100-002-01 (L.H. AND R.H.)	ea .1	513
12.	PASSENGER OXYGEN MASKS; O CORP; P/N 289-60-18 (2 EACH, L.H. AND R.H.)	ea .3	513
13.	PORTABLE FIRE EXTINGUISHER; KIDDE; H ₂ O P/N 892480	6.7	532

DATE 16 JULY 1984



Customer: *Flatirons Aviation Mgmt Inc*
 Aircraft Model: *CL601-1A*

Work Order: *SC11792*
 S/N: *3016*

Date: *5 May 2008*
 Registration Number: *N388DB*

Equipment List Updates

Equipment Removed:

Part Name:	Part Number:	S/N:	Weight:	Arm:
Radar Antenna	MI-585353	1361	7.1	162.5
Radar Receiver/Transmitter	MI-585350	1466	21.0	182.0
Data Nav Computer	MI-585397-5	1254	8.1	193.0
Data Nav Control	MI-585399-2	1357	1.7	220.0
Radar Indicator	MI-585351	1168	9.0	220.0

Equipment Added:

Part Name:	Part Number:	S/N:	Weight:	Arm:
Radar Receiver/Transmitter/Antenna	7021450-801	0802856	15.6	165.0
MFD-640	6402-43011-01	5807	7.75	220.0
Radar Control	7008471-417	99023778	1.9	256.0

Prepared By, Signature: *Andie Kent Walter* for

General Dynamics Aviation Services, 8555 Lemmon Avenue, Dallas TX 75209
 Certified Repair Station: VJ1R560K, JAR-145 Acceptance Certificate Number: JAA.5148